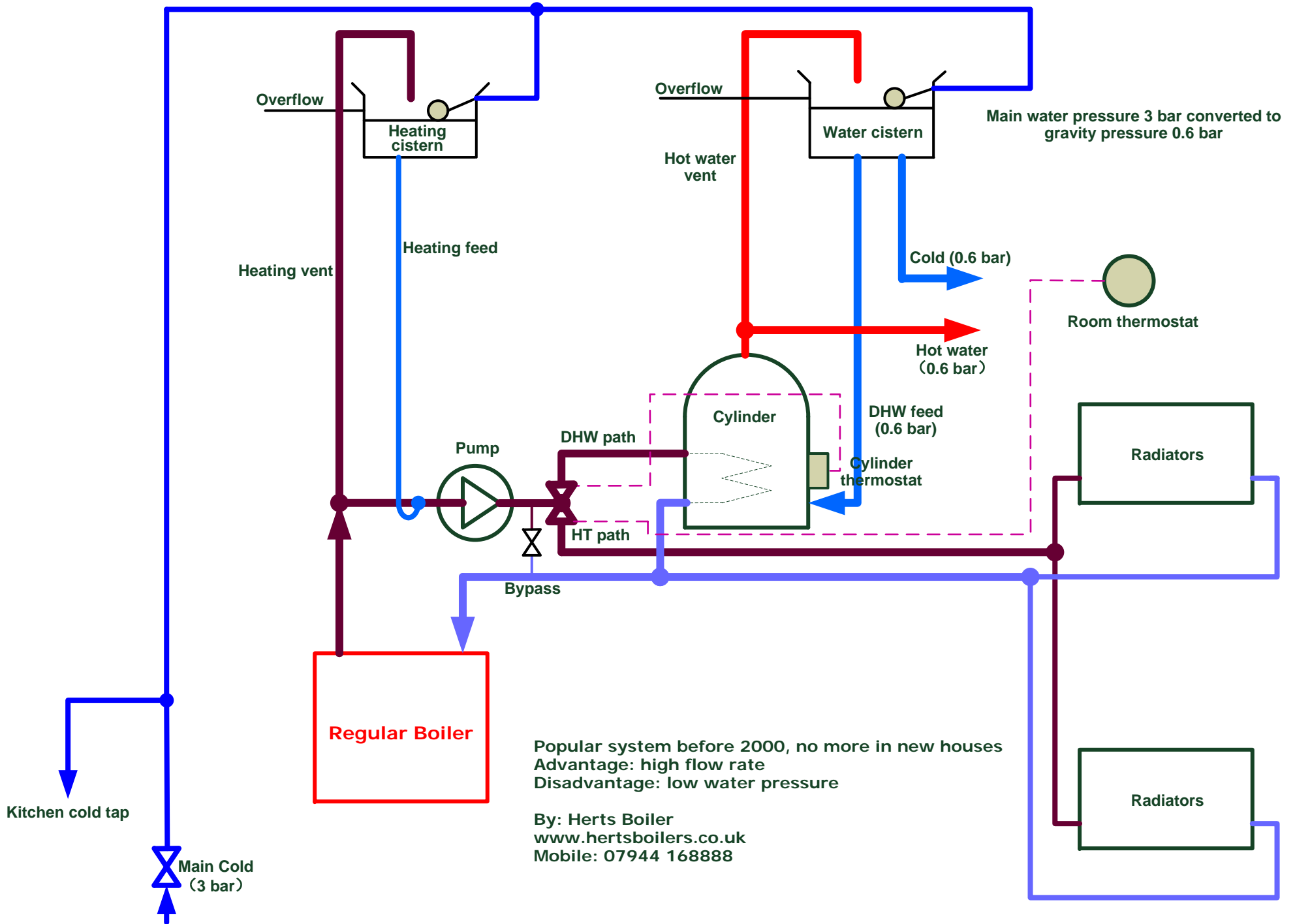


# System 1: Open Vented (Vented)



Popular system before 2000, no more in new houses  
 Advantage: high flow rate  
 Disadvantage: low water pressure

By: Herts Boiler  
[www.hertsboilers.co.uk](http://www.hertsboilers.co.uk)  
 Mobile: 07944 168888