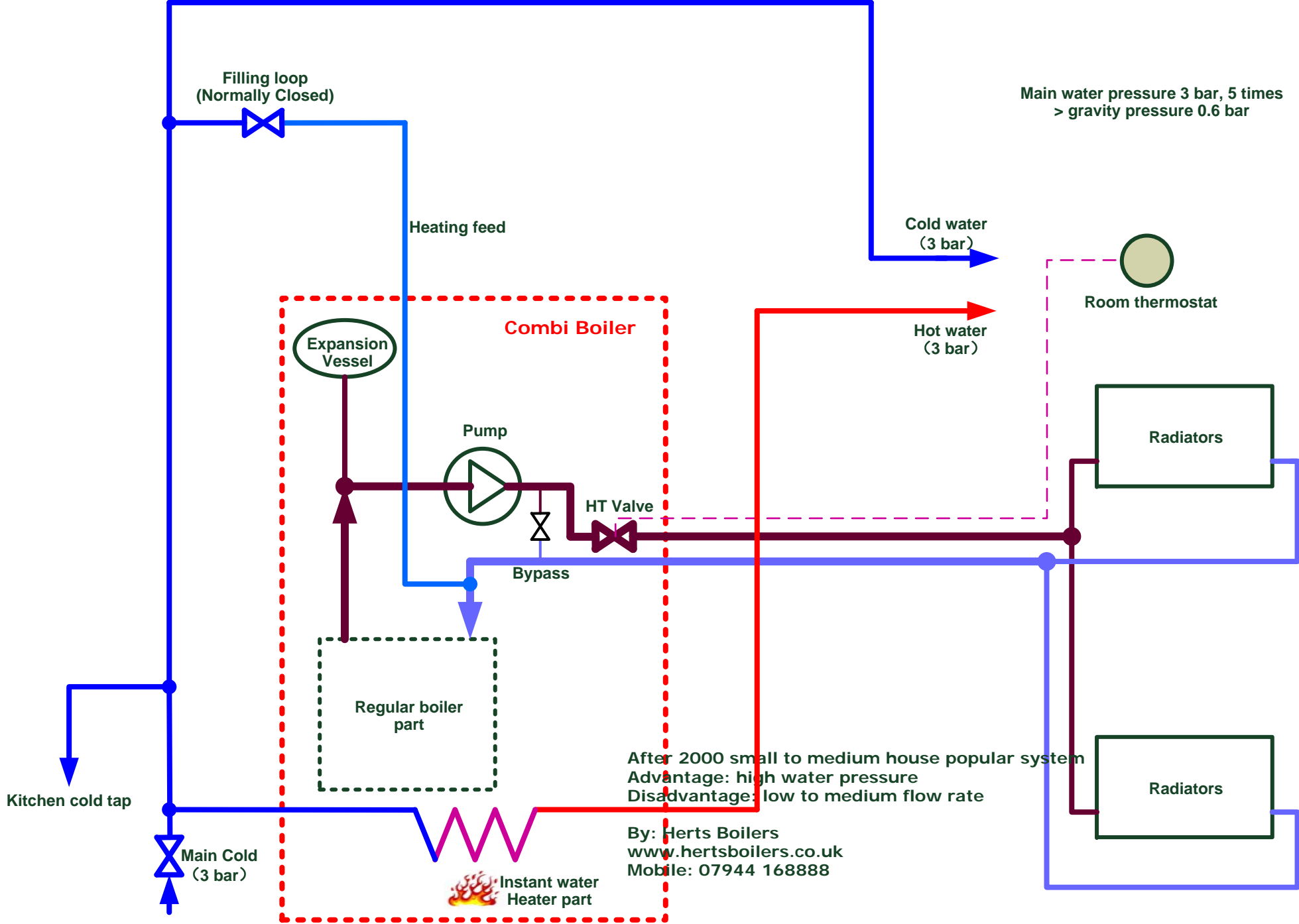


# System 2: Combi Sealed



After 2000 small to medium house popular system  
Advantage: high water pressure  
Disadvantage: low to medium flow rate

By: Herts Boilers  
[www.hertsboilers.co.uk](http://www.hertsboilers.co.uk)  
Mobile: 07944 168888