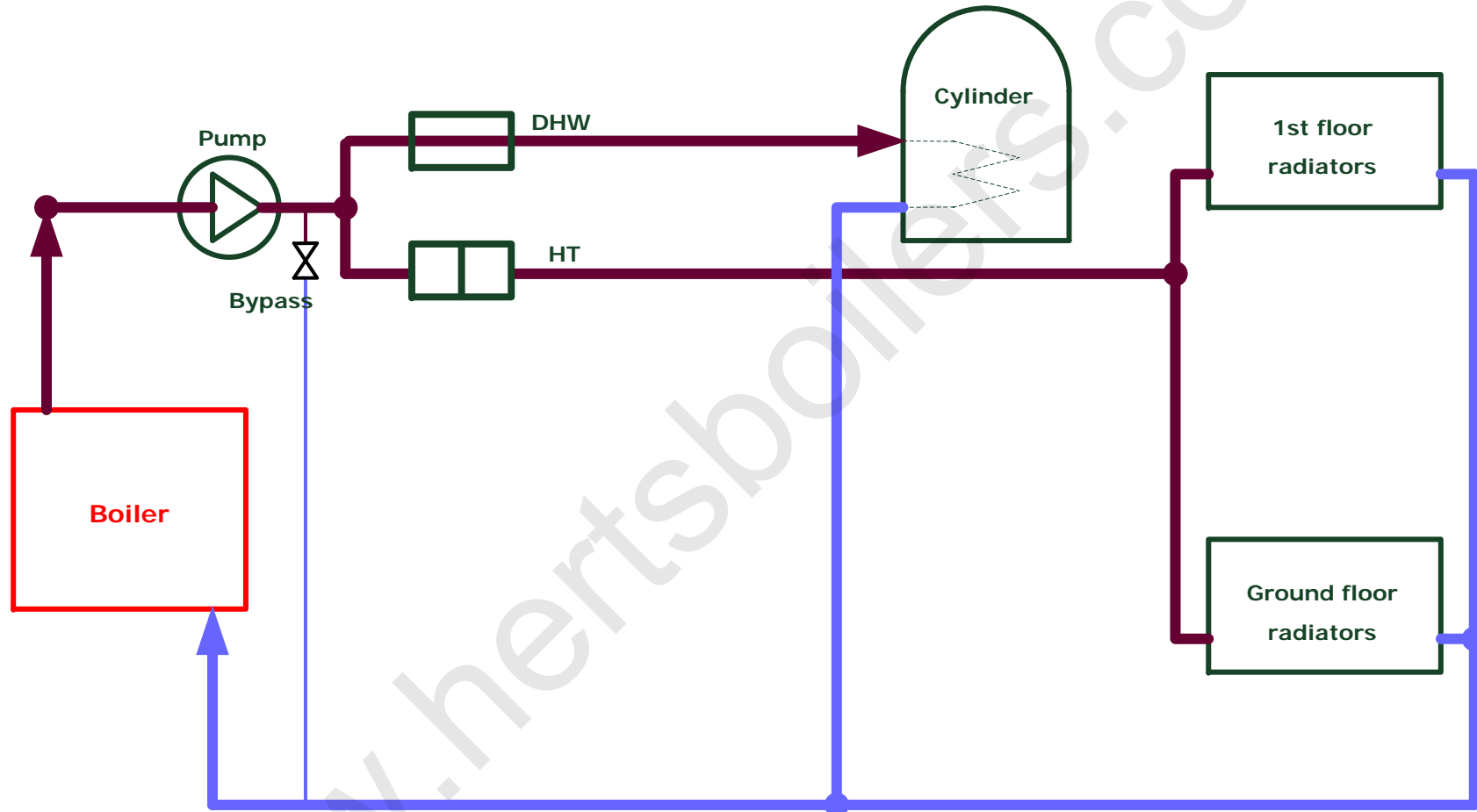
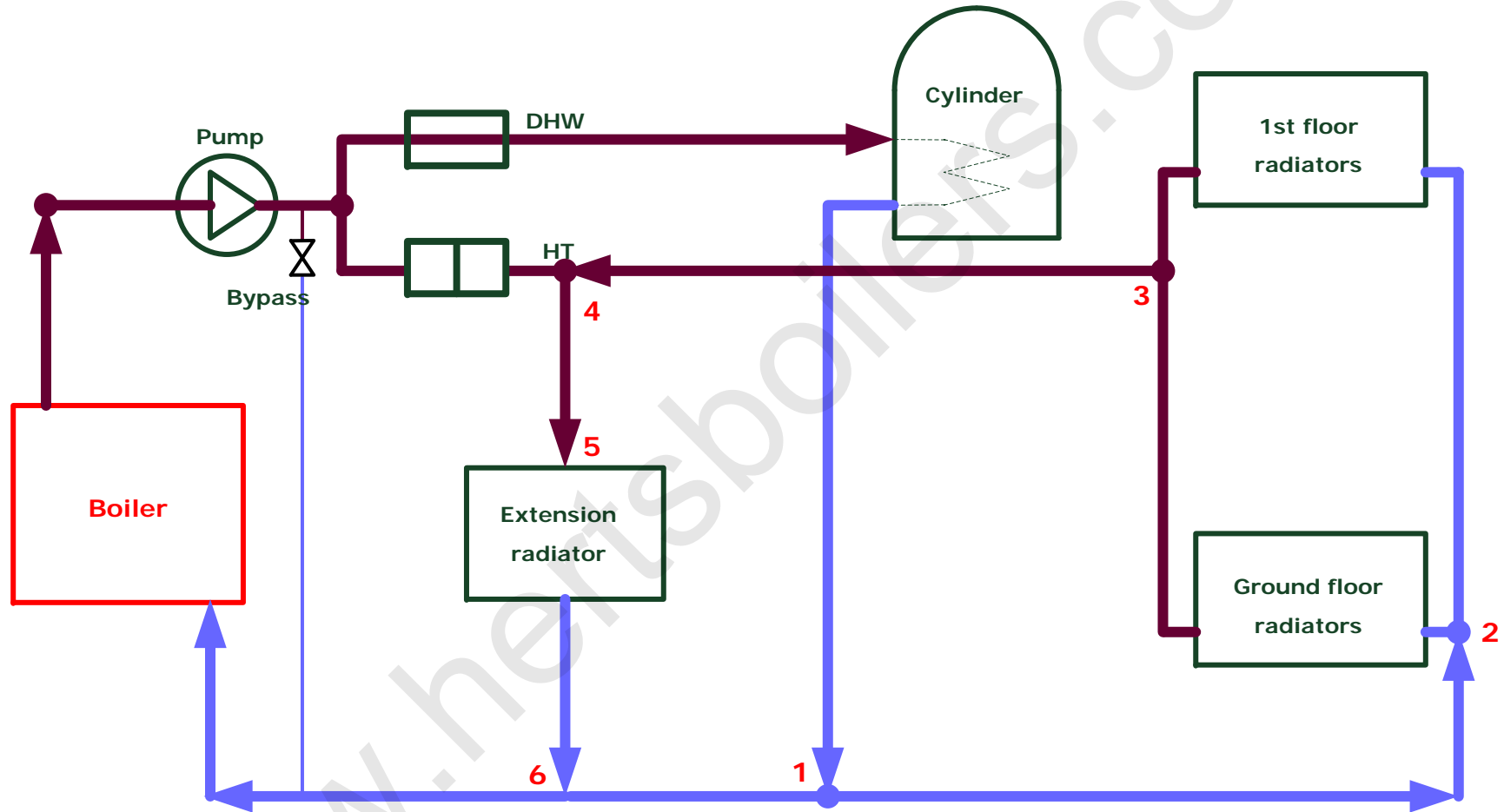


No Reverse Circulation

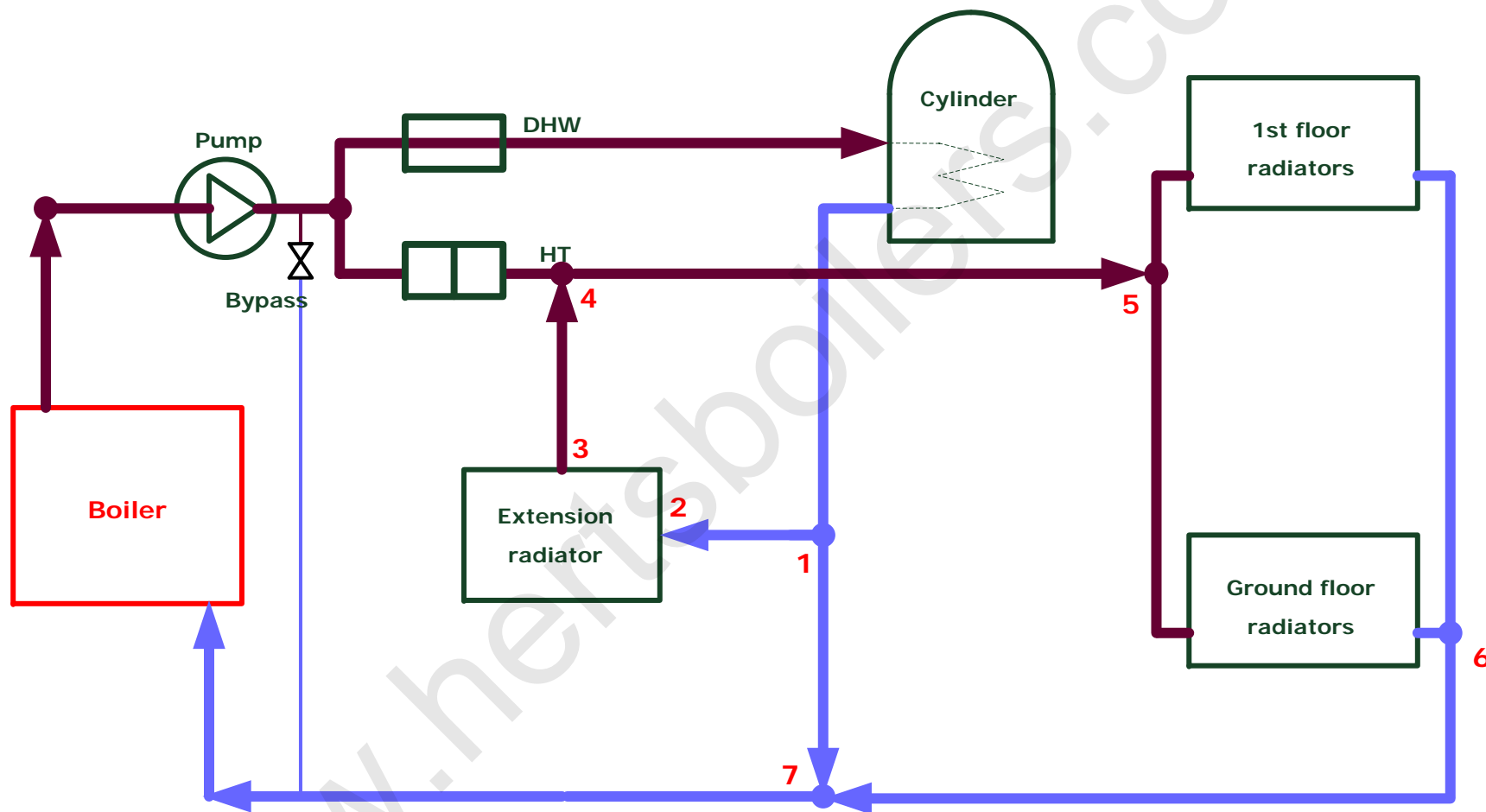


Reverse Circulation 1



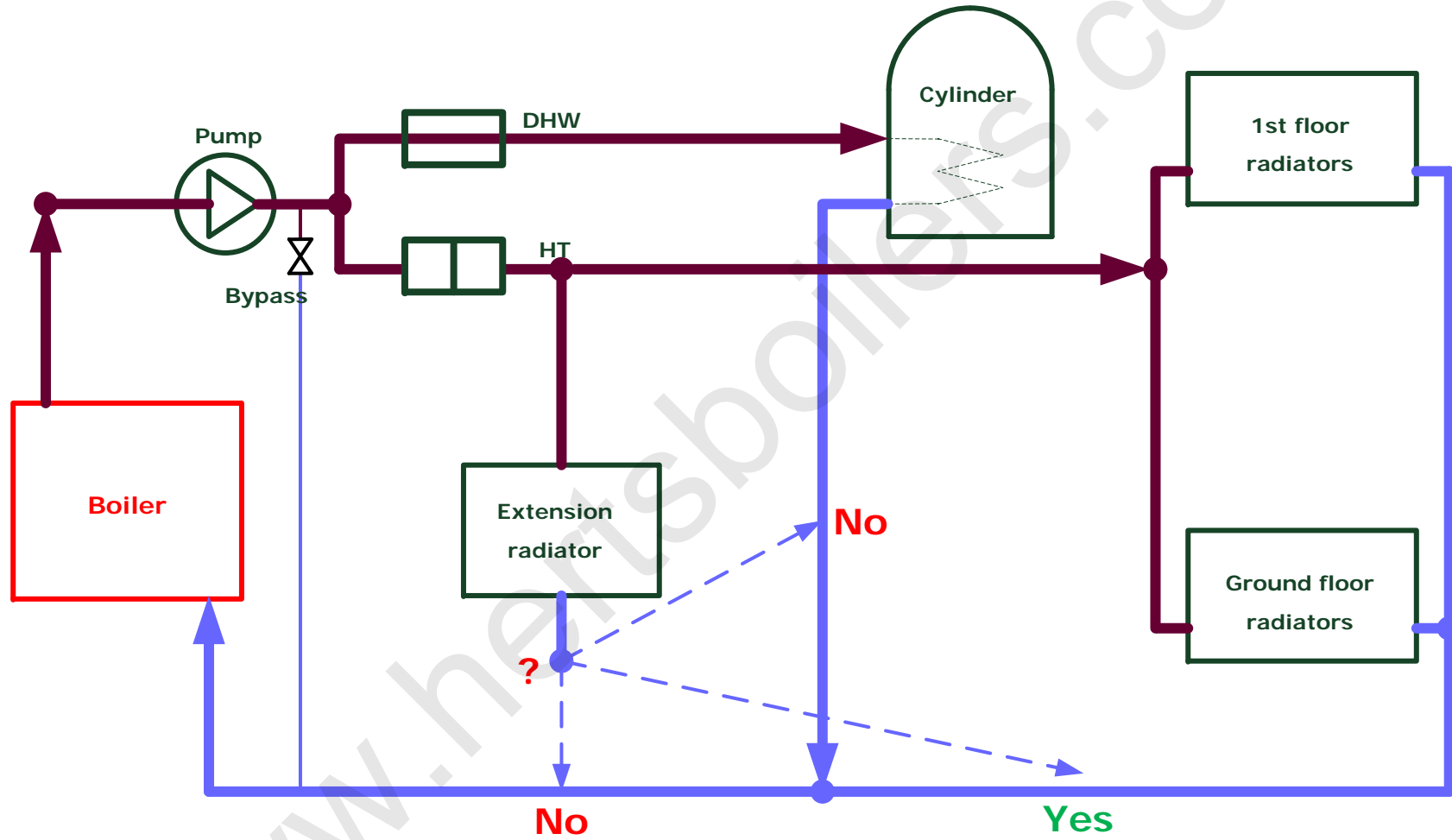
As $P1 > P6$, some flow from cylinder return will go through the path 1 to 2 to 3 etc until 6, causing all radiators hot.

Reverse Circulation 2



As $P1 > P7$, some flow from cylinder return will go through the path 1 to 2 to 3 etc until 7, causing all radiators hot.

Reverse Circulation Provention



Added extension radiator can only be Tee'd in at "Yes" position.