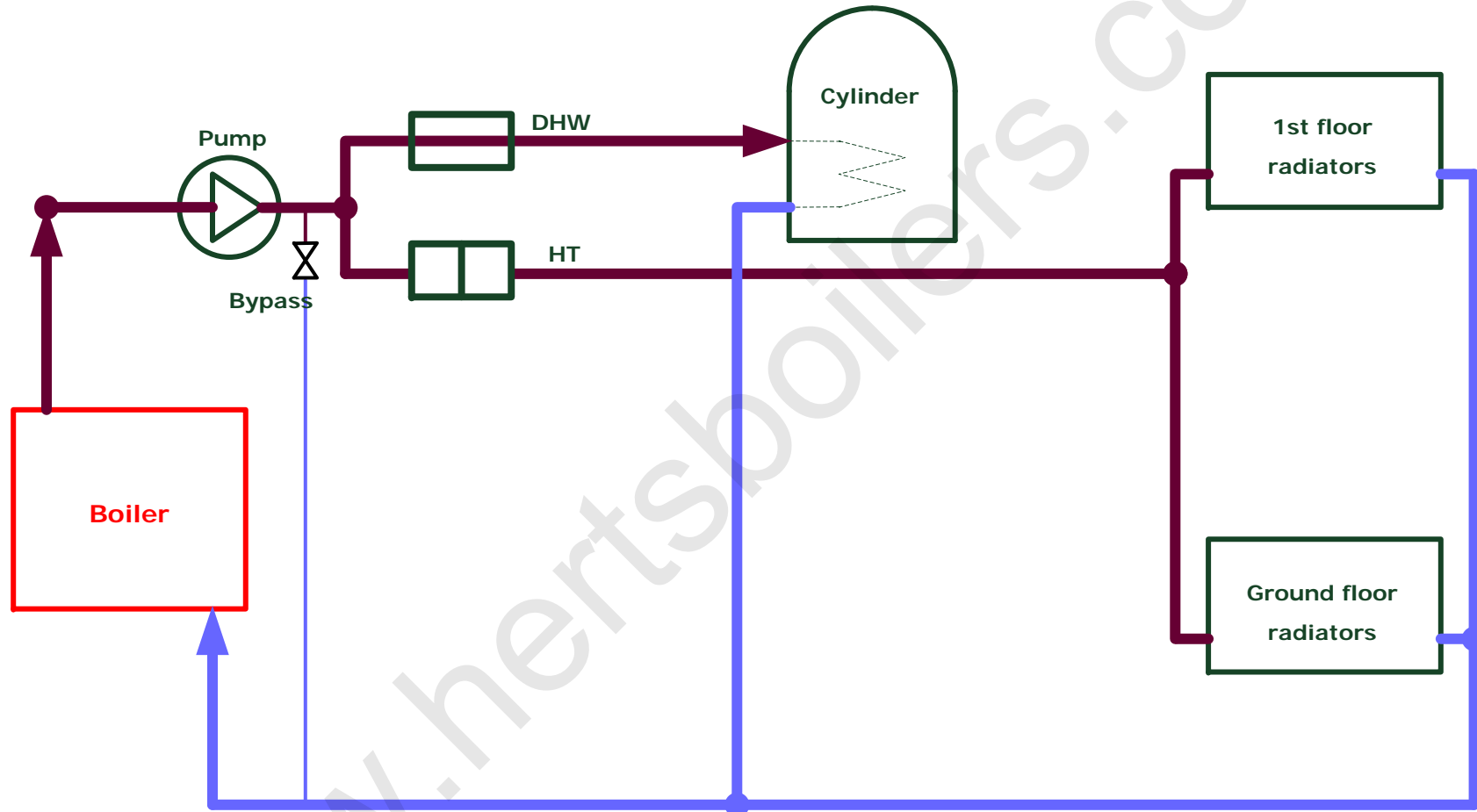
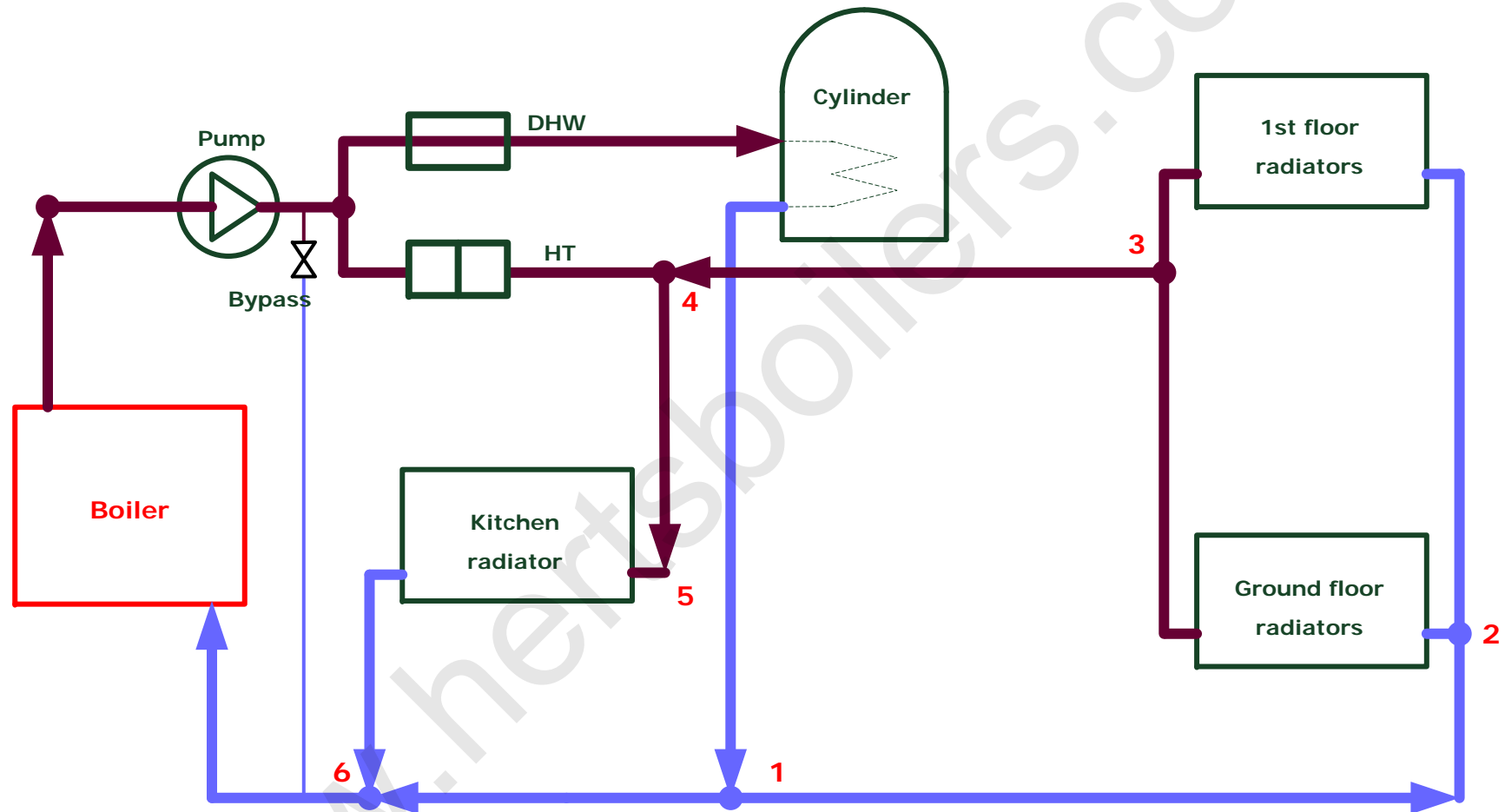


No Reverse Circulation

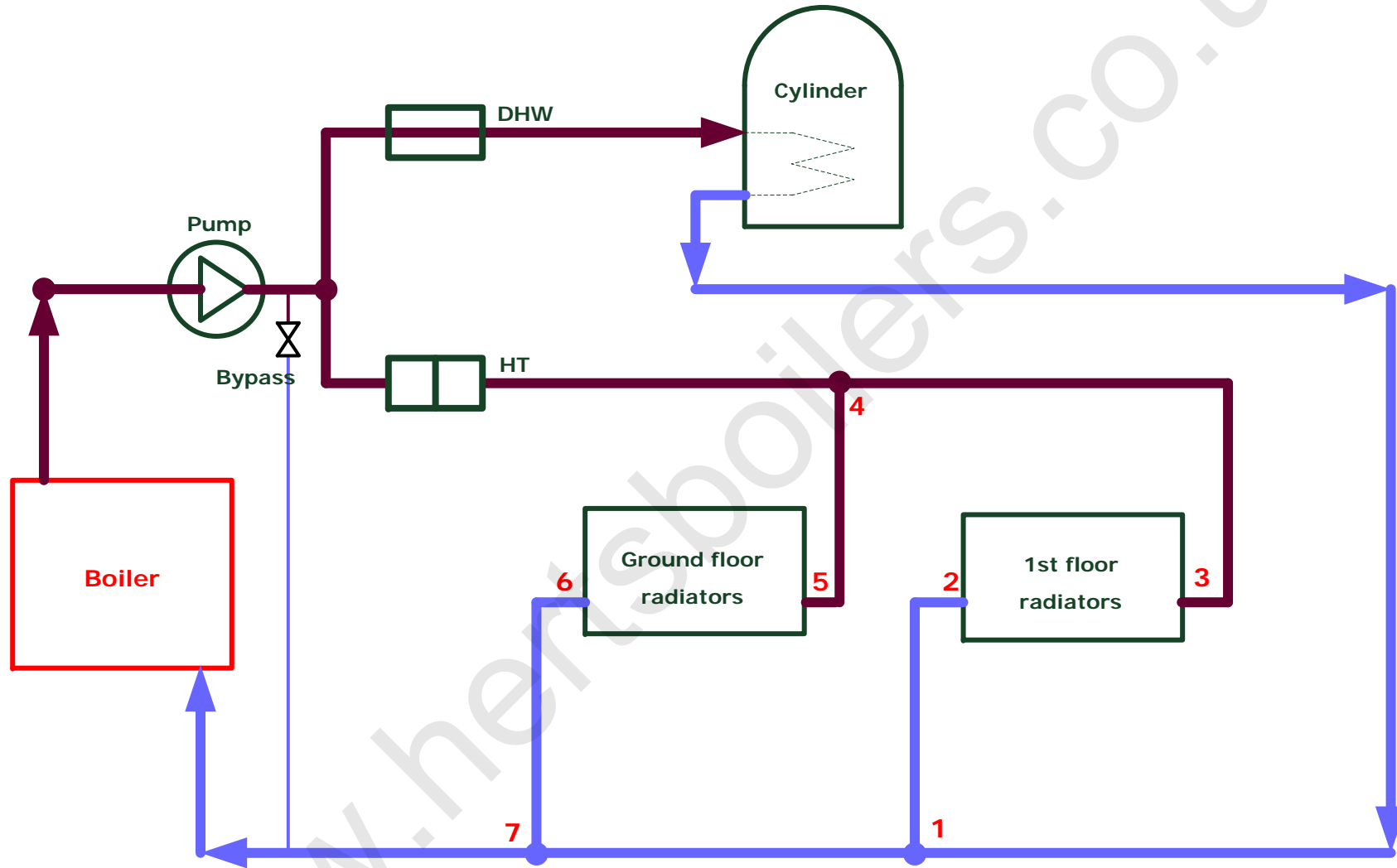


Reverse Circulation 1



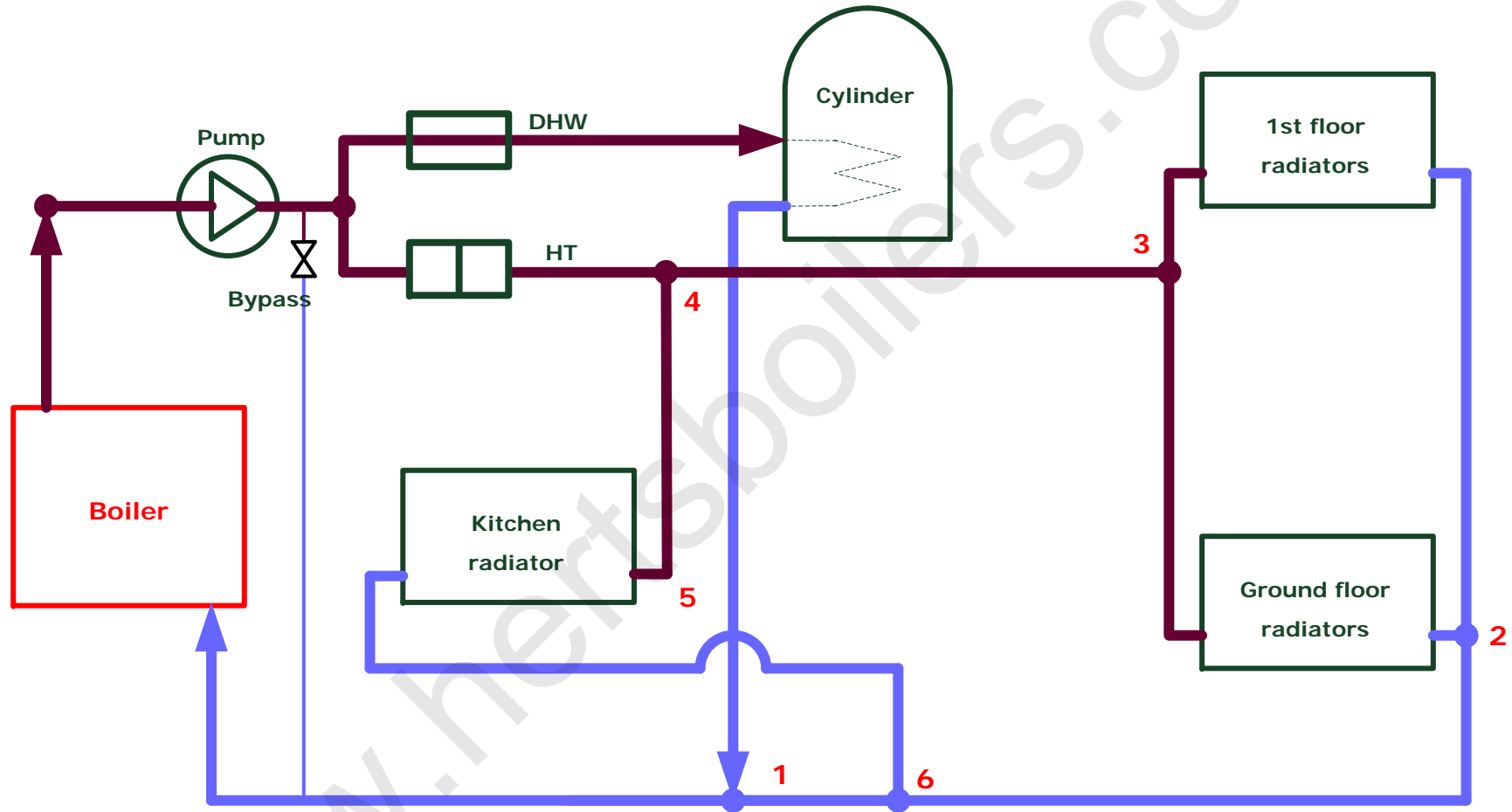
As $P1 > P6$, some flow from cylinder return will go through the path 1 to 2 to 3 etc until 6, causing all radiators hot.

Reverse Circulation 2

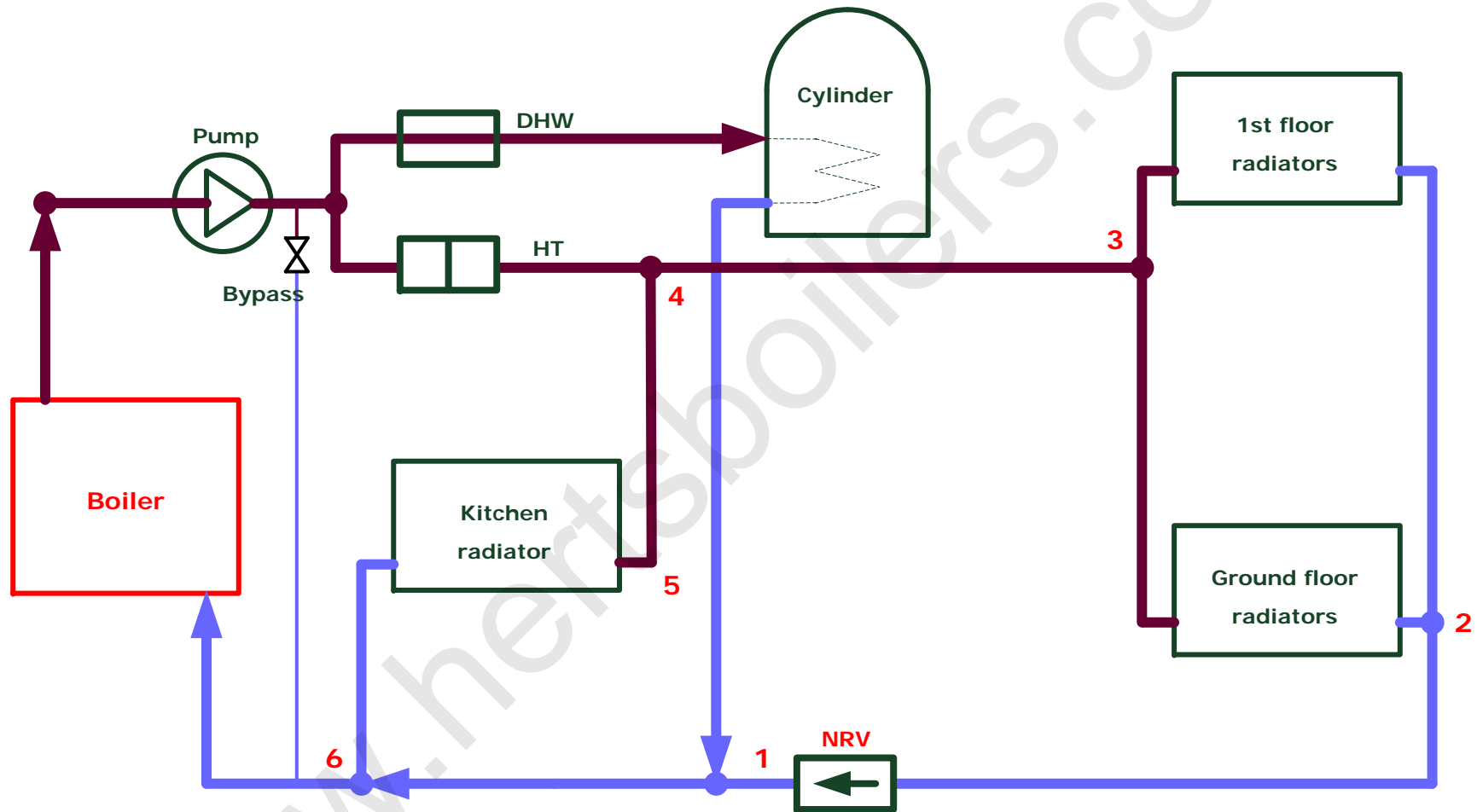


As $P1 > P7$, some flow from cylinder return will go through the path 1 to 2 to 3 etc until 7, causing all radiators hot.

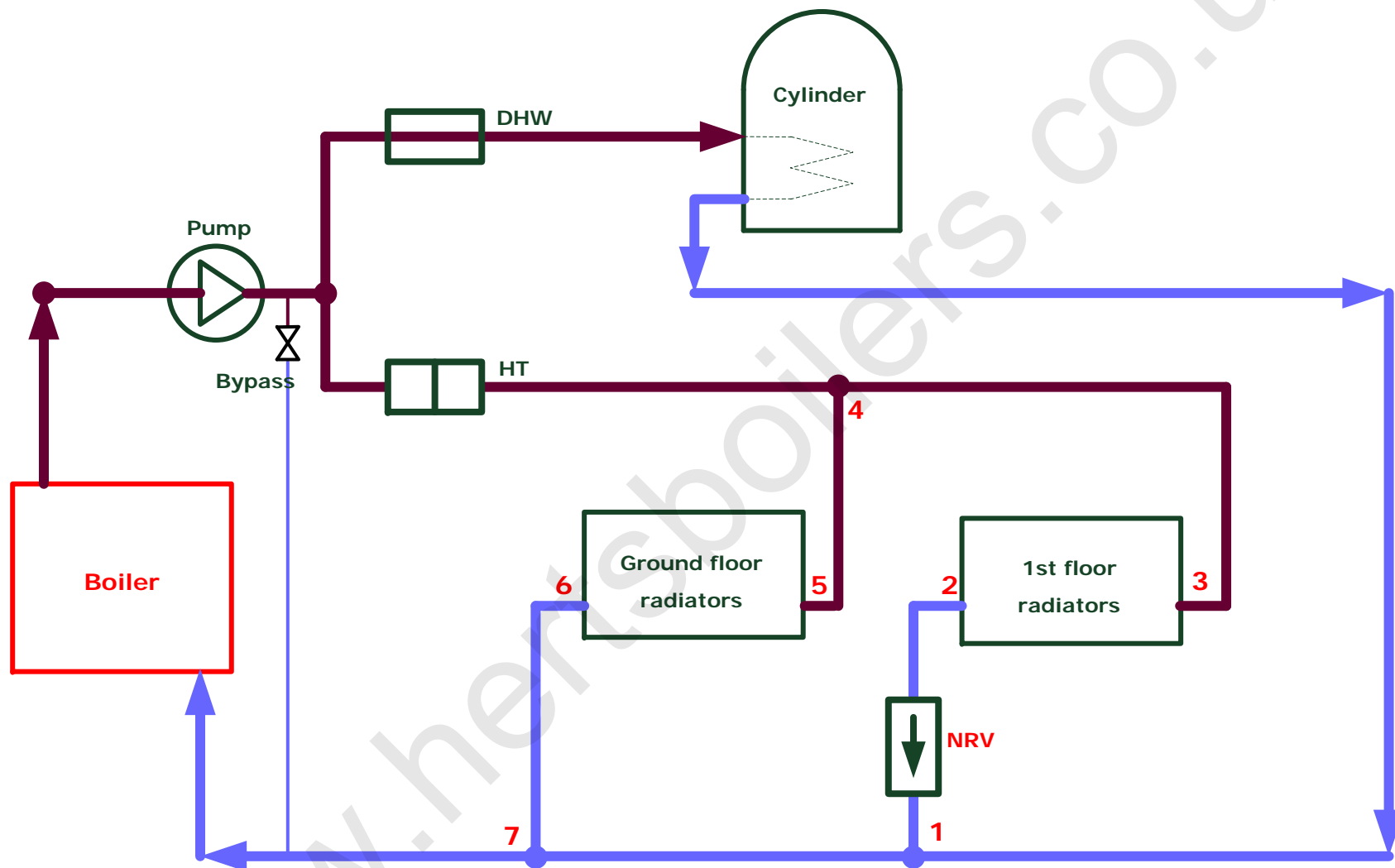
Back Flow Prevention 1 (Reverse Circulation)



Back Flow Prevention 2 (Reverse Circulation)



Back Flow Prevention 3 (Reverse Circulation)



As $P1 > P7$, some flow from cylinder return will go through the path 1 to 2 to 3 etc until 7, causing all radiators hot.